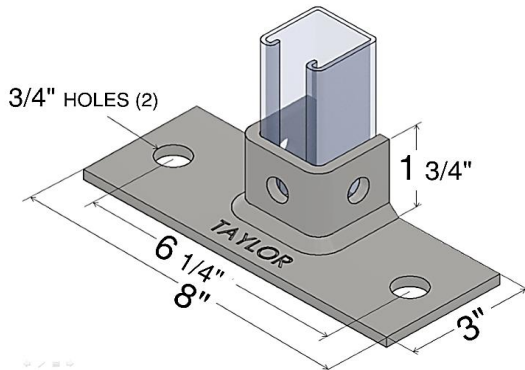


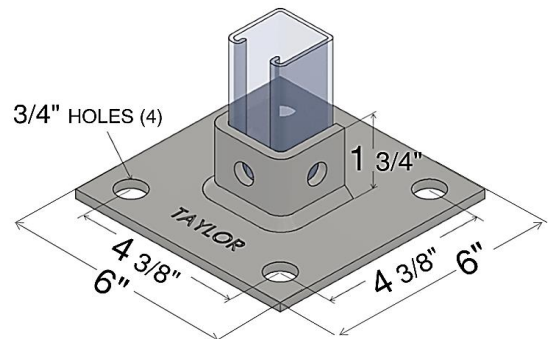
Post Base

PB100



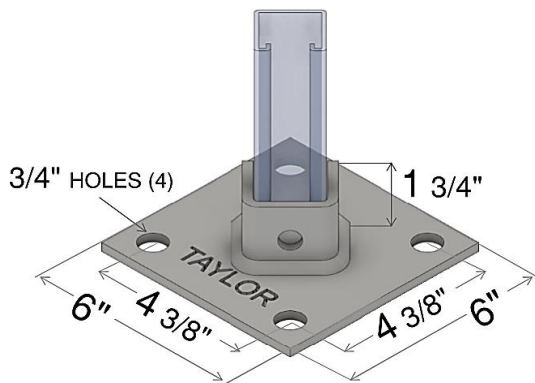
Post Base *

PB101



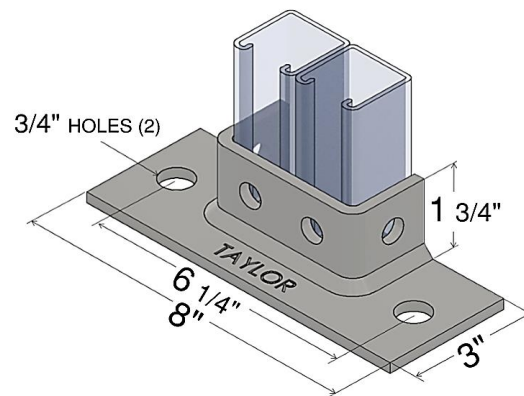
Post Base *

PB102



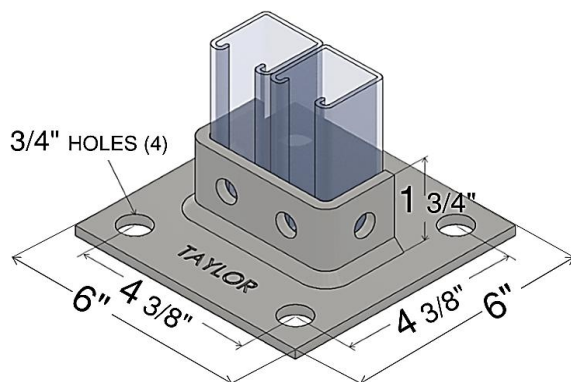
Post Base

PB110



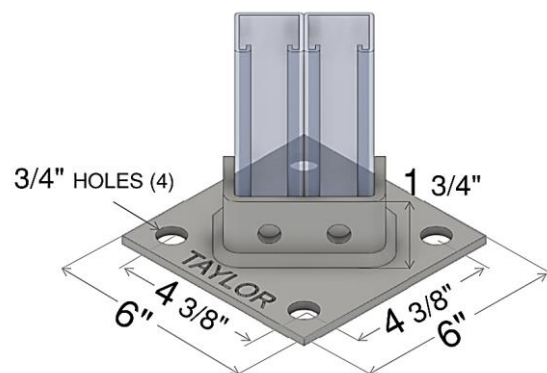
Post Base

PB111



Post Base

PB112

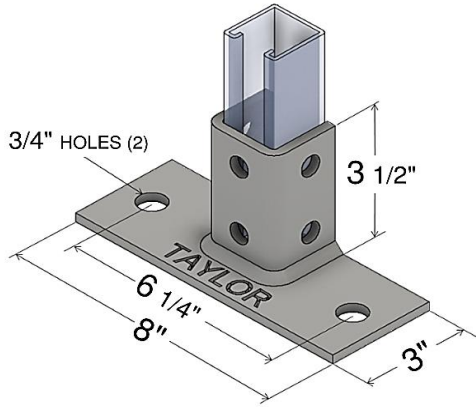


FITTING SPECIFICATIONS (unless noted): Hole Size 9/16" Diameter; Hole Spacing 13/16" from end and 1 7/8" on center; Width 1 5/8"; Thickness 1/4".

FINISHES AVAILABLE: *Zinc Plated available where noted, Hot-Dipped Galvanized, Stainless Steel (316SS).

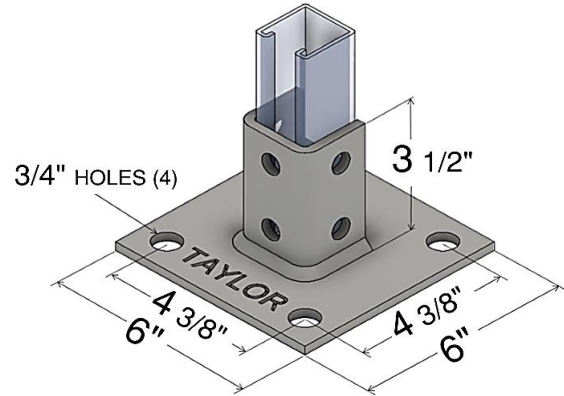
Post Base *

PB200



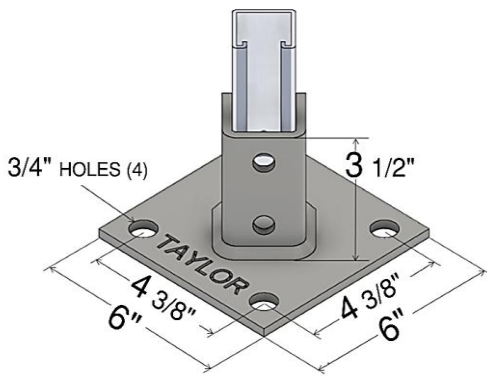
Post Base *

PB201



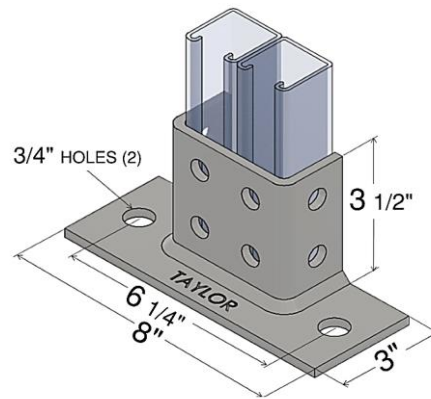
Post Base *

PB202



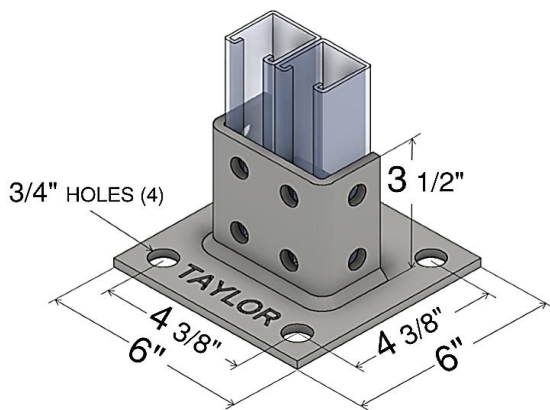
Post Base *

PB210



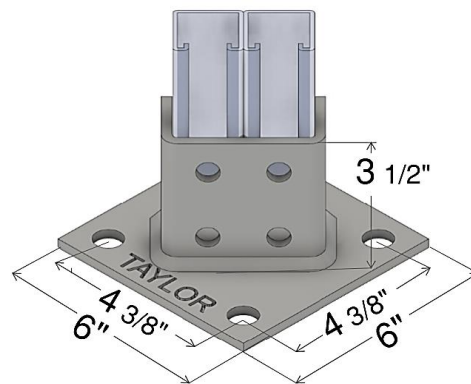
Post Base

PB211



Post Base *

PB212



FITTING SPECIFICATIONS (unless noted): Hole Size 9/16" Diameter; Hole Spacing 13/16" from end and 1 7/8" on center; Width 1 5/8"; Thickness 1/4".

FINISHES AVAILABLE: *Zinc Plated available where noted, Hot-Dipped Galvanized, Stainless Steel (316SS).