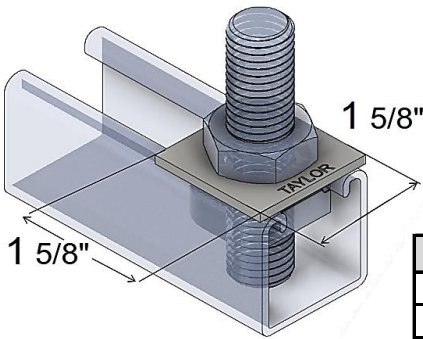


Square Washer

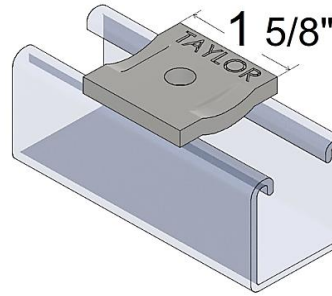
FP100

No-Turn Washer

FP101



PART No.	Rod (")	Dia. (")
*FP100-1/4	1/4	5/16
FP100-5/16	5/16	3/8
*FP100-3/8	3/8	7/16
*FP100-1/2	1/2	9/16
FP100-5/8	5/8	11/16
FP100-3/4	3/4	13/16



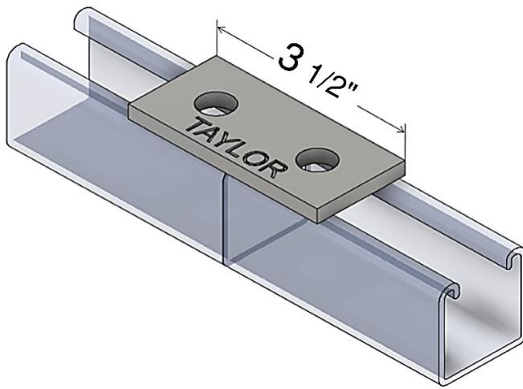
PART No.	Rod (")	Dia. (")
FP101-1/4	1/4	5/16
FP101-5/16	5/16	3/8
*FP101-3/8	3/8	7/16
*FP101-1/2	1/2	9/16
*FP101-5/8	5/8	11/16
FP101-3/4	3/4	13/16

Two-Hole Splice Plate*

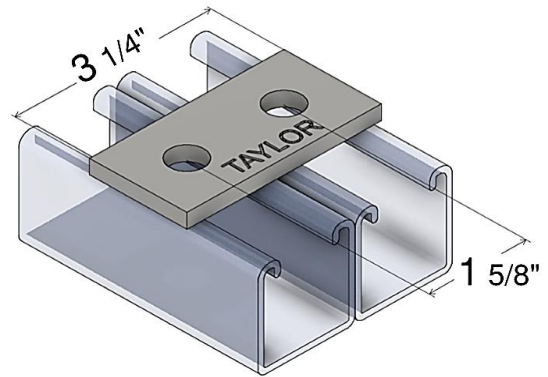
FP200

Two-Hole Splice Plate

FP201



0.35lbs/pc



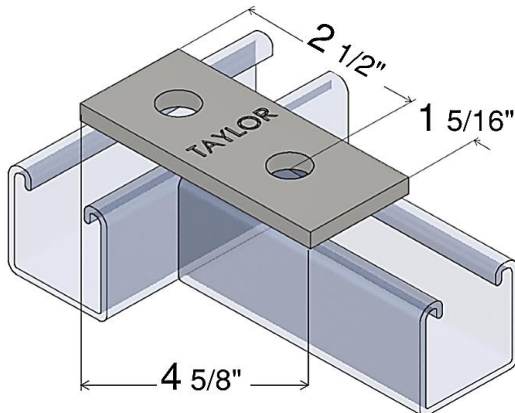
0.37lbs/pc

Two-Hole Splice Plate

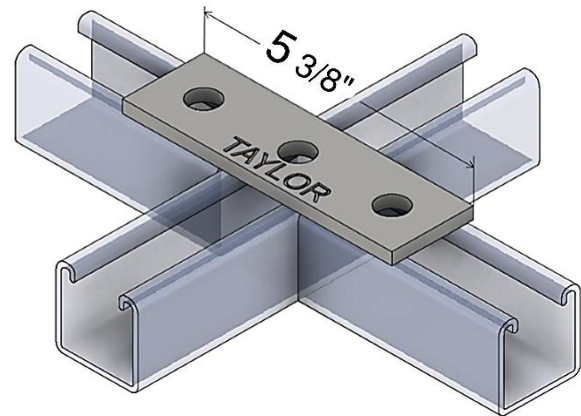
FP202

Three-Hole Splice Plate

FP300



0.50lbs/pc



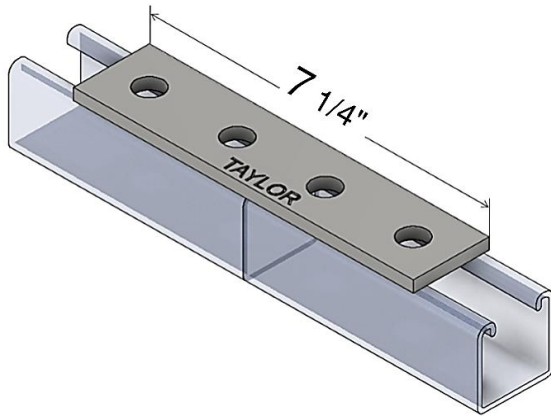
0.55lbs/pc

FITTING SPECIFICATIONS (unless noted): Hole Size 9/16" Diameter; Hole Spacing 13/16" from end and 1 7/8" on center; Width 1 5/8"; Thickness 1/4".

FINISHES AVAILABLE: *Zinc Plated available where noted, Hot-Dipped Galvanized, Stainless Steel (316SS).

Four-Hole Splice Plate*

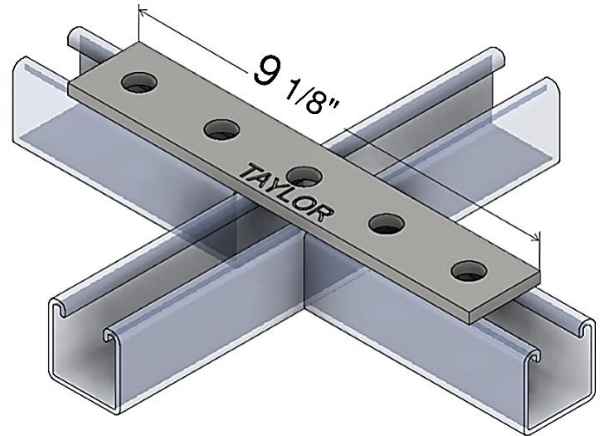
FP400



0.75lbs/pc

Five-Hole Splice Plate

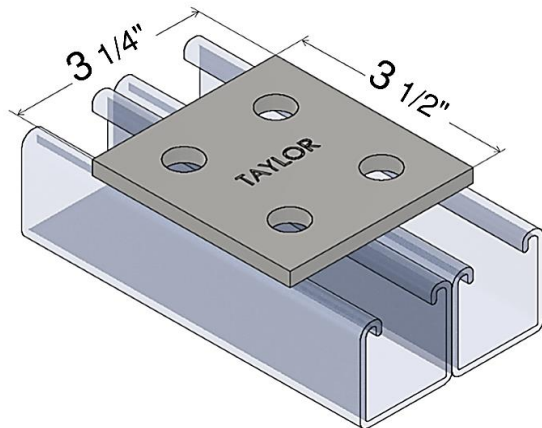
FP401



0.94lbs/pc

Four-Hole Splice Plate

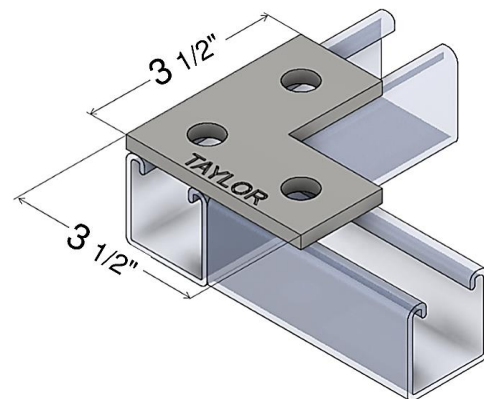
FP402



0.73lbs/pc

Three-Hole Corner Gusset

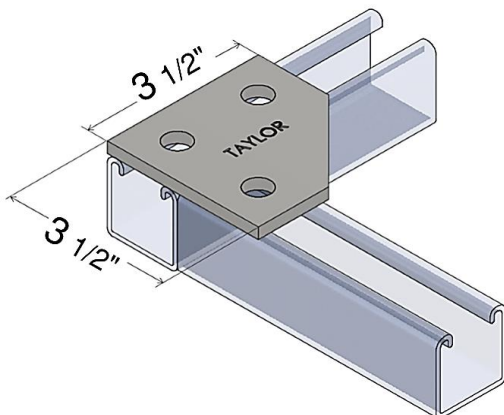
FP500



0.56lbs/pc

Three-Hole Corner Gusset

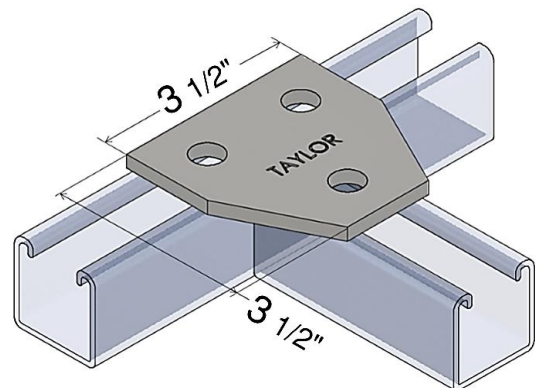
FP501



0.67lbs/pc

Three-Hole Tee Gusset

FP502



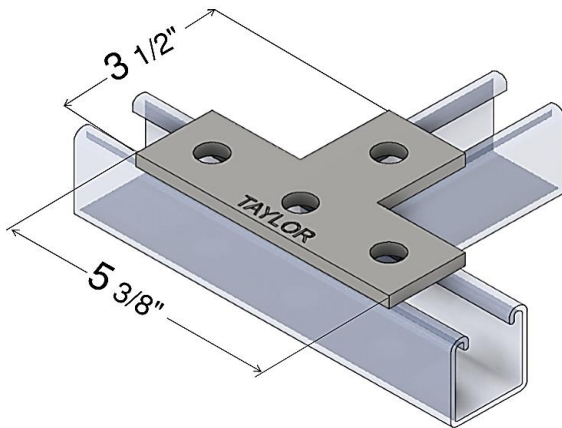
0.70lbs/pc

FITTING SPECIFICATIONS (unless noted): Hole Size 9/16" Diameter; Hole Spacing 13/16" from end and 1 7/8" on center; Width 1 5/8"; Thickness 1/4".

FINISHES AVAILABLE: *Zinc Plated available where noted, Hot-Dipped Galvanized, Stainless Steel (316SS).

Four-Hole Tee Plate

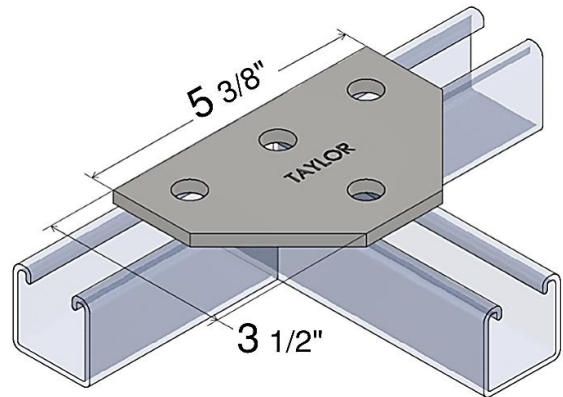
FP600



0.75lbs/pc

Four-Hole Tee Gusset

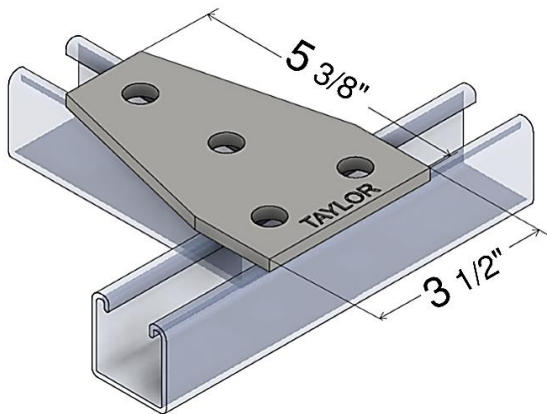
FP601



0.98lbs/pc

Four-Hole Tee Gusset

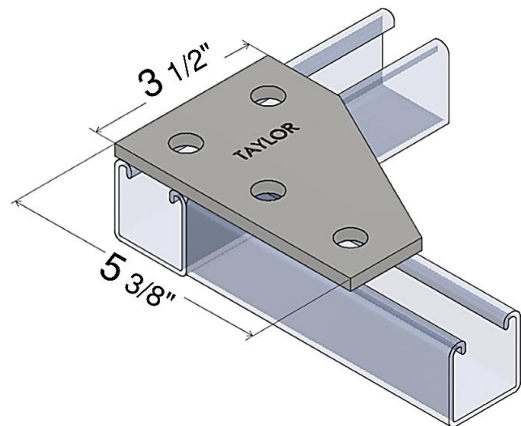
FP602



0.97lbs/pc

Four-Hole Corner Gusset

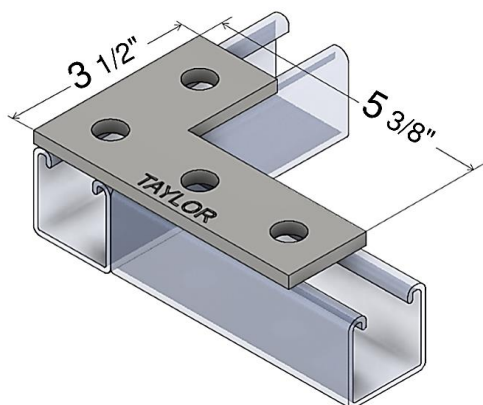
FP603



0.97lbs/pc

Four-Hole Corner Gusset*

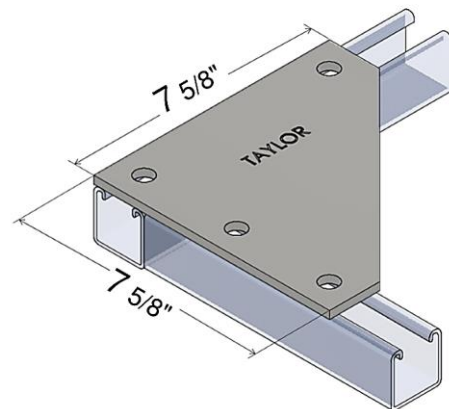
FP604



0.75lbs/pc

Four-Hole Corner Gusset

FP605



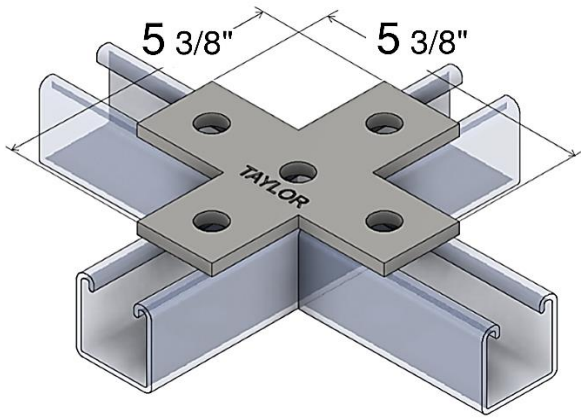
2.73lbs/pc

FITTING SPECIFICATIONS (unless noted): Hole Size 9/16" Diameter; Hole Spacing 13/16" from end and 1 7/8" on center; Width 1 5/8"; Thickness 1/4".

FINISHES AVAILABLE: *Zinc Plated available where noted, Hot-Dipped Galvanized, Stainless Steel (316SS).

Five-Hole Cross Plate

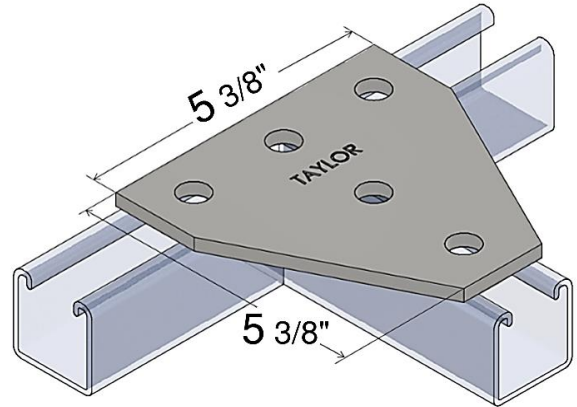
FP700



0.89lbs/pc

Five-Hole Tee Gusset

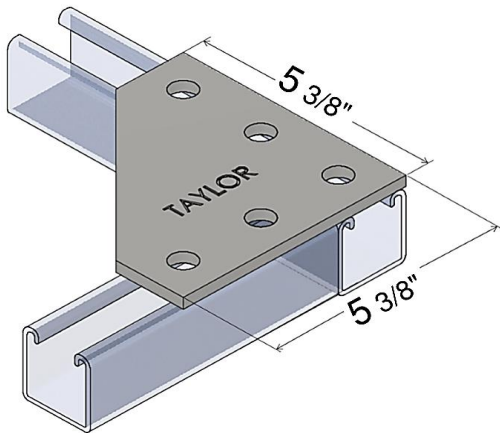
FP701



1.43lbs/pc

Five-Hole Corner Gusset

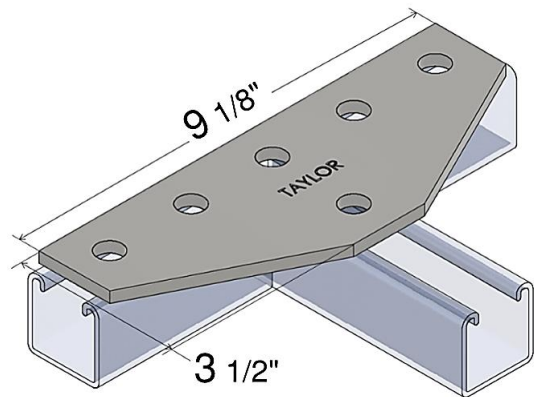
FP702



1.53lbs/pc

Six-Hole Tee Gusset

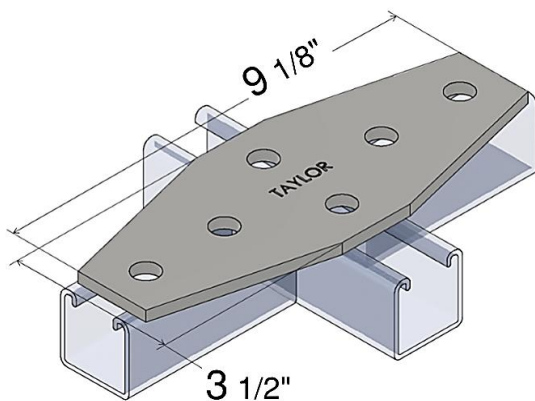
FP800



1.49lbs/pc

Six-Hole Cross Gusset

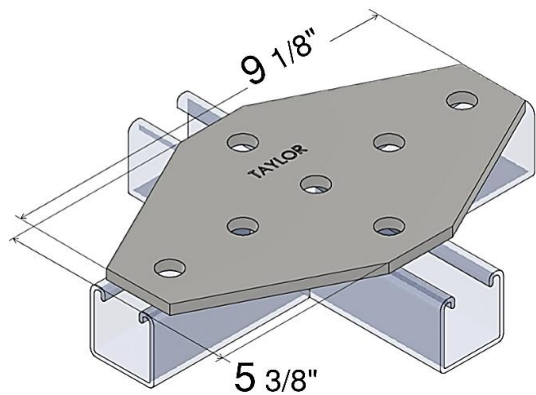
FP801



1.66lbs/pc

Seven-Hole Cross Gusset

FP900



2.32lbs/pc

FITTING SPECIFICATIONS (unless noted): Hole Size 9/16" Diameter; Hole Spacing 13/16" from end and 1 7/8" on center; Width 1 5/8"; Thickness 1/4".

FINISHES AVAILABLE: *Zinc Plated available where noted, Hot-Dipped Galvanized, Stainless Steel (316SS).