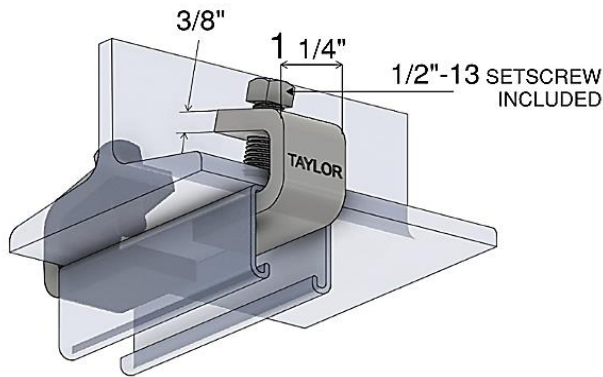


**Beam Clamp**

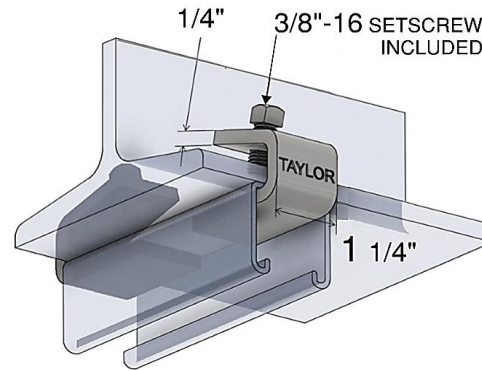
**BC460**



Max. flange thickness 1" 0.54lbs/pc  
Design load: 1000lbs (12Ga. Strut) when used in pairs

**Beam Clamp**

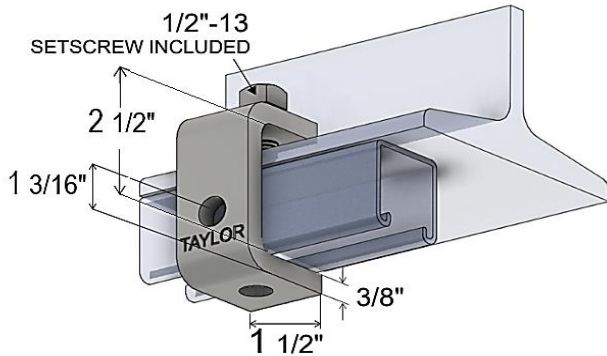
**BC470**



Max. flange thickness 3/4" 0.33lbs/pc  
Design load: 600lbs (12Ga. Strut) when used in pairs

**Beam Clamp**

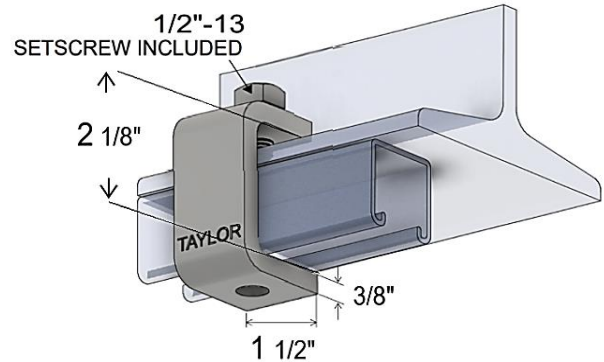
**BC480**



0.95lbs/pc  
Design load: 800lbs (12Ga. Strut) when used in pairs

**Beam Clamp**

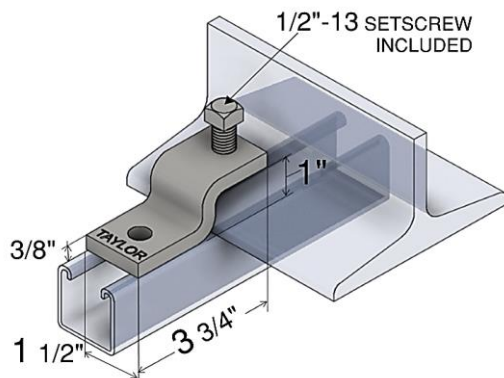
**BC481**



0.91lbs/pc  
Design load: 800lbs (12Ga. Strut) when used in pairs

**"Z" Beam Clamp\***

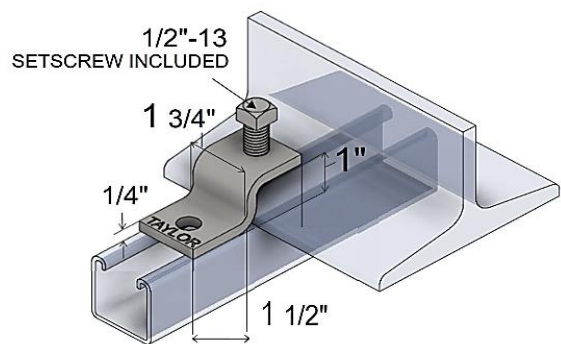
**BC490**



0.64lbs/pc  
Design load: 600lbs (12Ga. Strut) when used in pairs

**"Z" Beam Clamp**

**BC491**



0.74lbs/pc  
Design load: 500lbs (12Ga. Strut) when used in pairs

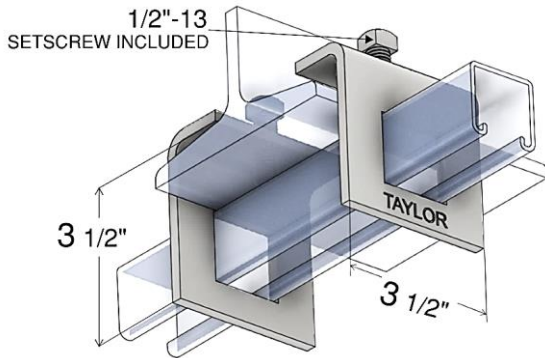
FITTING SPECIFICATIONS (unless noted): Hole Size 9/16" Diameter; Hole Spacing 13/16" from end and 1 7/8" on center; Width 1 5/8"; Thickness 1/4".

FINISHES AVAILABLE: \*Zinc Plated, Hot-Dipped Galvanized, Stainless Steel (316SS)

\*Available where noted.

### Window Beam Clamp\*

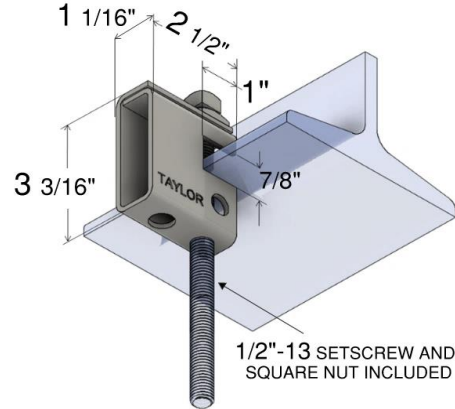
### BC500



For use with 1 5/8" strut 1.21lbs/pc  
 Design load: 800lbs (12Ga. Strut) when used in pairs

### Beam Clamp

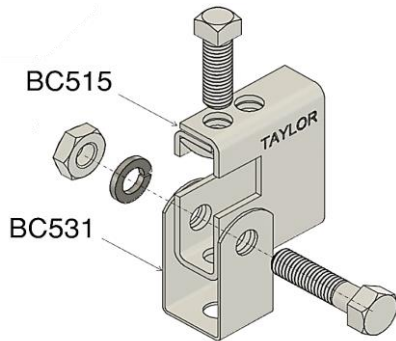
### BC515



Max. flange thickness 13/16" 0.85lbs/pc  
 Design load: 1200lbs (12Ga. Strut) Wrapped seam weld

### Beam Clamp and Swing Connector Assembly

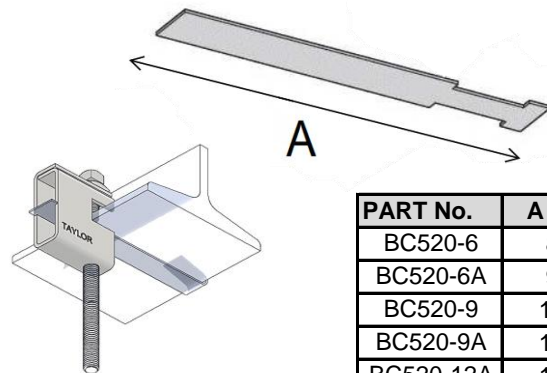
### BC516A



Design load: 400lbs 1.19lbs/pc  
Supplied Assembled

### Beam Clamp Safety Strap

### BC520



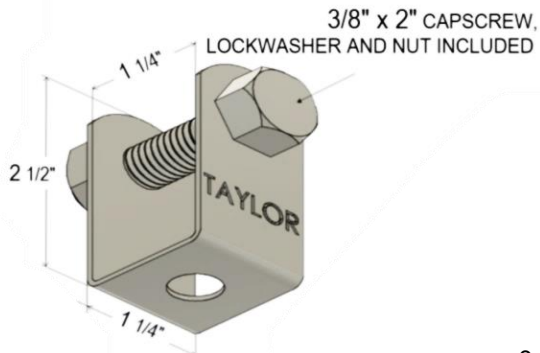
PART No.	A (")	Wt. (lbs)
BC520-6	8	0.25
BC520-6A	9	0.25
BC520-9	11	0.28
BC520-9A	12	0.28
BC520-12A	15	0.39
BC520-16	20	0.56
BC520-20	23	0.72

14 Ga. X 1 1/4" Material  
 Pre-Galvanized or 316SS

### Beam Clamp Swing Connector

### BC531

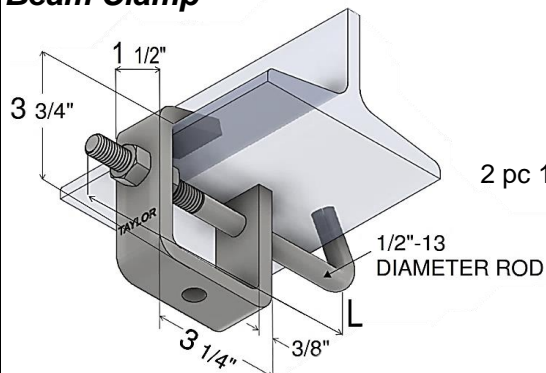
Allows for angular adjustment when using BC515 beam clamp



Design load: 400lbs 0.34lbs/pc

### Beam Clamp

### BC540



Includes:  
 Beam Clamp  
 J Hook  
 2 pc 1/2"-13 Hex Nut

PART No.	L (")	Flange Width	Wt. (lbs)
BC540-1	11	4" - 9"	2.40
BC540-2	19 1/2	10" - 17"	3

Max load: 800lbs

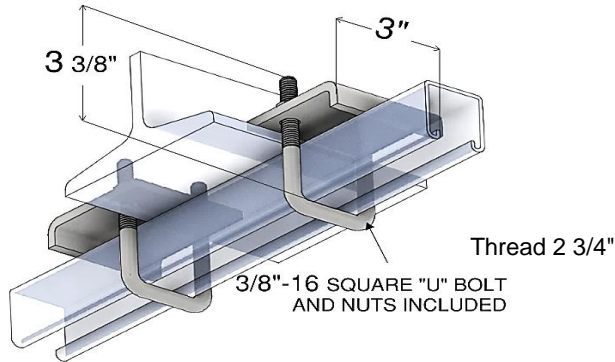
FITTING SPECIFICATIONS (unless noted): Hole Size 9/16" Diameter; Hole Spacing 13/16" from end and 1 7/8" on center; Width 1 5/8"; Thickness 1/4".

FINISHES AVAILABLE: \*Zinc Plated, Hot-Dipped Galvanized, Stainless Steel (316SS)

\*Available where noted.

**Beam Clamp-Single Strut\*** **BC890**

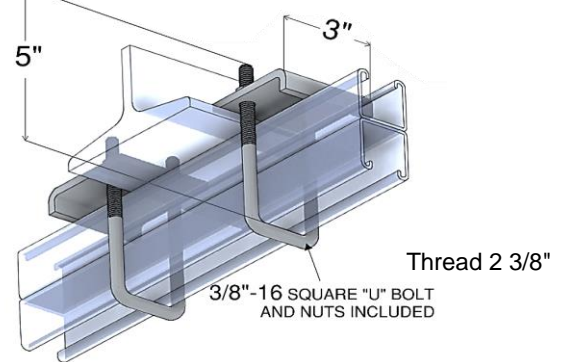
For use with 13/16" to 1 5/8" strut



Recommended Torque: 150 in-lbs (16.9N\*m) 0.76lbs/pc  
 Design load: 1200lbs (12Ga. Strut) when used in pairs

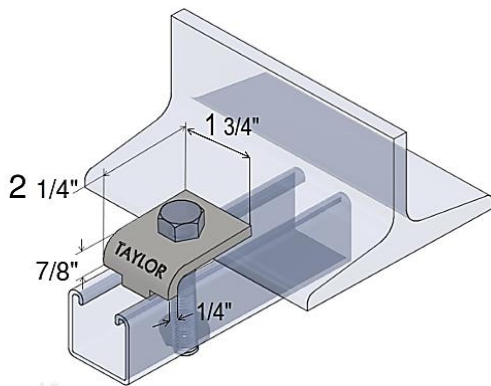
**Beam Clamp-Double Strut\*** **BC891**

For use with 1 5/8" to 3 1/4" strut



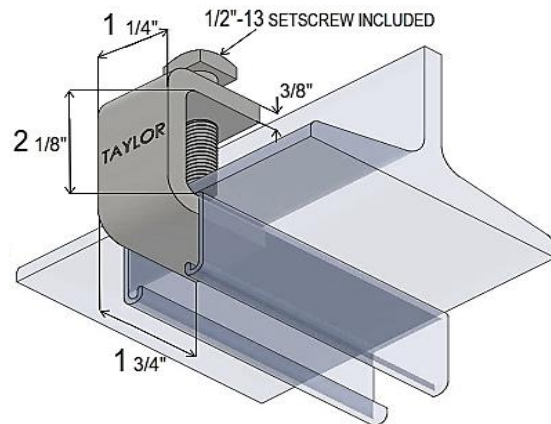
Recommended Torque: 150 in-lbs (16.9N\*m) 0.84lbs/pc  
 Design load: 1200lbs (12Ga. Strut) when used un pairs

**Beam Clamp** **BC900**



0.26lbs/pc  
 Design load: 1000lbs (12Ga. Strut) when used in pairs

**Beam Clamp** **BC700**



0.75lbs/pc  
 Design load: 1000lbs (12Ga. Strut) when used in pairs

**Complementary Products for Strut**

- 8500 Cushion Clamp
- 920 Cable / Conduit Clamp
- 910R 2-Piece Rigid Clamp
- 910C 2-Piece CT Clamp
- W1000 Strut Clamp - For Steel Pipes and EMT Conduit
- W2000 Cushion Clamp - For Metal Pipes
- W5000 Cushion Clamp - For Plastic Pipes
- W6000 Insulated Clamp
- 900 Strut Nut - Regular, Short and No Spring
- 901 Rod Stiffener Nut
- BIS RapidStrut Slide Nut G2
- BIS RapidStrut Hammerfix G2

**Complementary Products for Rod**

- 24 Clevis Hanger
- 41 Swivel Ring Hanger
- 38R Split Ring Hanger
- Bismat Flash - For Metal Pipes
- BIS Heavy Duty Clamp HD1501 - For Metal Pipes
- Bifix 5000 G2 - For Plastic Pipes
- KSB2 Clamp - For Steel, Copper, Cast Iron and Plastic Pipes
- 64 Weldless Eye Nut

FITTING SPECIFICATIONS (unless noted): Hole Size 9/16" Diameter; Hole Spacing 13/16" from end and 1 7/8" on center; Width 1 5/8"; Thickness 1/4".

FINISHES AVAILABLE: \*Zinc Plated, Hot-Dipped Galvanized, Stainless Steel (316SS)

\*Available where noted.