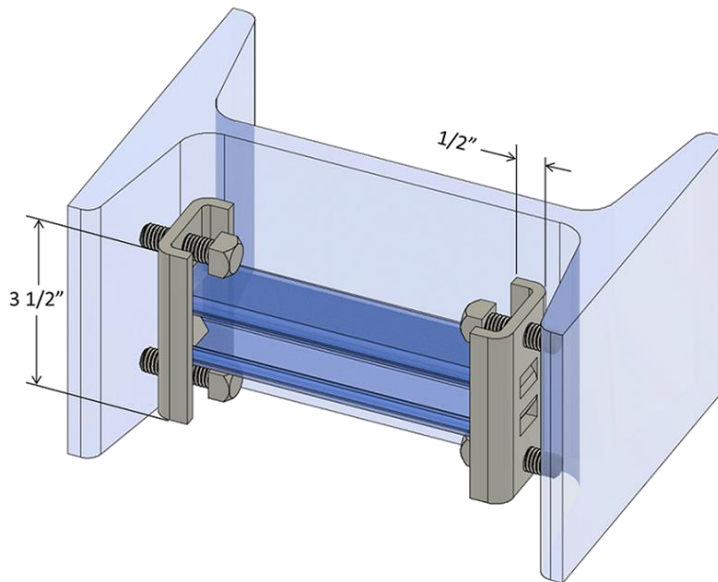


- Finishes** Zinc Plated
- Materials** Carbon Steel
- Recommended** Used to create a support point inside the channel of an I-beam
- Notes** Strut channel (not included) needs to be cut 1" less than the flange opening to complete the clamp assembly.
- Once assembled secure the clamp in place by tightening the four set screws
- For ordering, one clamp consists of two side plates and four set screws.



Part Number	When Used with Channel Size	SPECIFICATION DATA			
		Pull Out Resistance		Slip Resistance	
		Lbs	Kg	Lbs	Kg
BC954	1 5/8" - 12ga	1000	454	800	363
BC954	1 5/8" - 16ga	500	227	300	136
BC954	1 5/8" - 14ga	700	318	500	227
BC955	1" - 12ga	1000	454	800	363

QWI 4.3.1 Issue Date Nov/21 Rev.3

Note: when referencing a printed copy of this specification page, please insure it is the latest version as found on our website at www.taylorwalraven.ca

For more information, please contact Customer Service at 1-800-263-8652