

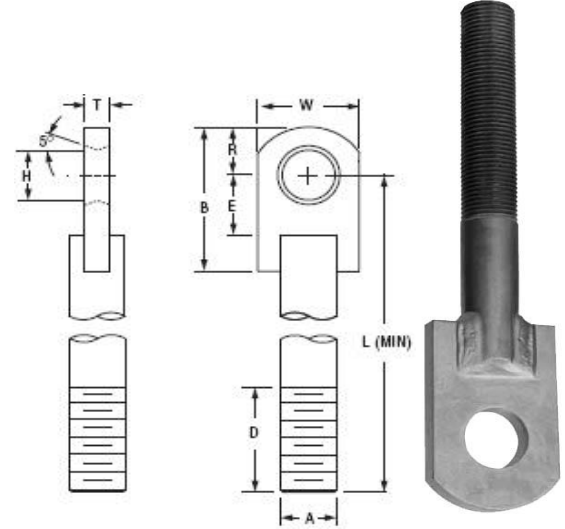
Finishes Bare Metal, Zinc Plated, Hot Dipped Galvanized

Materials Carbon Steel

Recommended A large diameter rod with eye end for load ratings through 184,000 pounds.

Notes Indicate if desired thread length is other than standard.

*Weight calculated with minimum "L" for standard thread - Furnished with 4 UN series threads



ROD SIZE A	SPECIFICATION DATA								MAX. LOAD		WT.* MIN. LENGTH	WT/Ft Additional LENGTH
	B	D	E	H	L (MIN)	R	T	W	650° F	750° F		
2 3/4	9 5/8	12	3 3/4	3 1/8	19	3 5/8	1 1/2	6	49400	38687	36	20
3	11	12	4	3 3/8	20	4	1 1/2	6	60100	47066	43	24
3 1/4	12 1/4	12	4	3 5/8	21	4 1/4	1 1/2	7	71900	56307	55	28
3 1/2	12 1/2	15	4 3/4	3 7/8	24	4 1/2	2	7	84700	66331	67	33
3 3/4	13 7/8	15	5	4 1/8	25	4 7/8	2	7 1/2	98500	77139	80	37
4	15 1/8	15	5	4 3/8	26	5 1/8	2	8 1/2	113400	88807	97	43
4 1/4	16 1/4	18	5 1/4	4 5/8	30	5 1/2	2	9 1/2	129400	101337	127	48
4 1/2	16	18	5 3/4	4 7/8	30	5 3/4	2 1/2	8 1/2	146600	114807	131	54
4 3/4	17	18	5 3/4	5 1/8	31	6	2 1/2	9 1/2	164700	128982	154	60
5	17 7/8	18	6 1/4	5 3/8	32	6 3/8	2 1/2	10	184000	144096	175	67

QWI 4.3.1 Issue Date Nov/21 Rev.3

Note: when referencing a printed copy of this specification page, please insure it is the latest version as found on our website at www.taylorwalraven.ca