

Finishes Hot Dipped Galvanized, except for Stainless Steel Screws

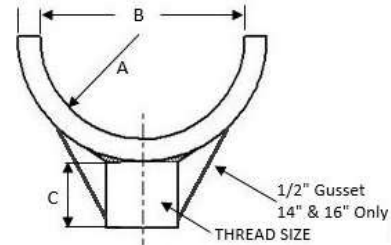
Materials Carbon steel assembly with stainless steel set screws.
Stainless Steel 316SS up to 16"

Approvals Complies with MSS SP-58 and SP-69 (Type 36, 38).

Recommended Designed to support pipe horizontally. Straight cut pipe thread on nipple provides up to 4 1/2" of vertical adjustability.

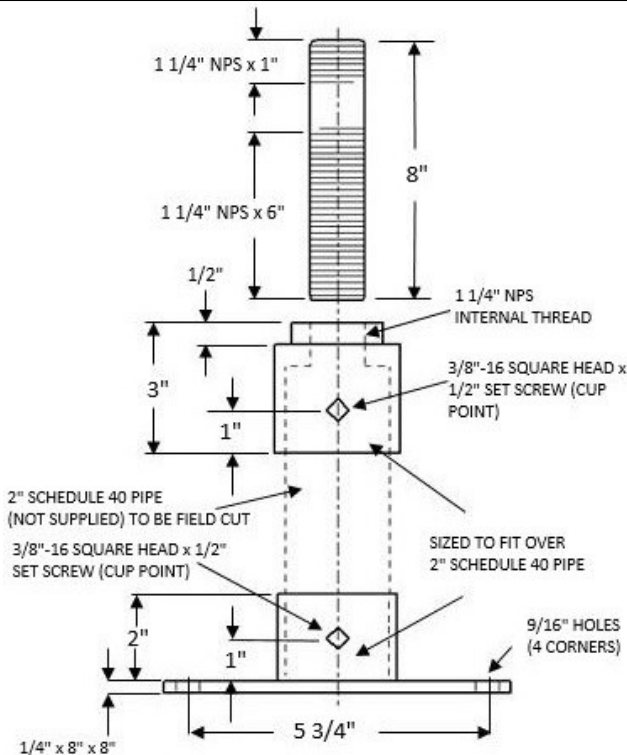
Notes Saddles accommodate ductile iron pipe and IPS.
Support requires 2" Schedule 40 (for 2" - 12") or 3" Schedule 40 (for 14" - 16") extension pipe to be cut in the field.

Factory tested 11,000 lbs (for the saddle portion only)

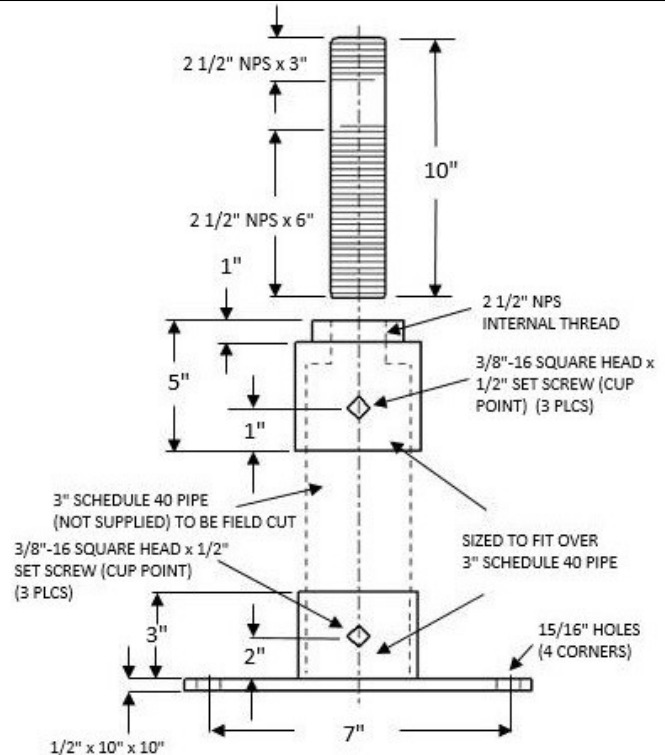


IPS or Ductile Iron Pipe Size	SPECIFICATION DATA			
	A	B	C	THREAD SIZE
2	1.24"	2.48"	1 1/2	1 1/4 - 7
3	2.03"	4.06"	1 1/2	1 1/4 - 7
4	2.45"	4.90"	1 1/2	1 1/4 - 7
6	3.50"	7.00"	1 1/2	1 1/4 - 7
8	4.58"	9.16"	1 1/2	1 1/4 - 7
10	5.60"	11.20"	1 1/2	1 1/4 - 7
12	6.65"	13.30"	1 1/2	1 1/4 - 7
14	7.75"	15.50"	3	2 1/2 - 4
16	8.80"	17.60"	3	2 1/2 - 4

PIPE SIZES 2 - 12



PIPE SIZES 14 - 16



QWI 4.3.1 Issue Date Jun/26 Rev.14

Note: when referencing a printed copy of this specification page, please insure it is the latest version as found on our website at www.taylorwalraven.ca