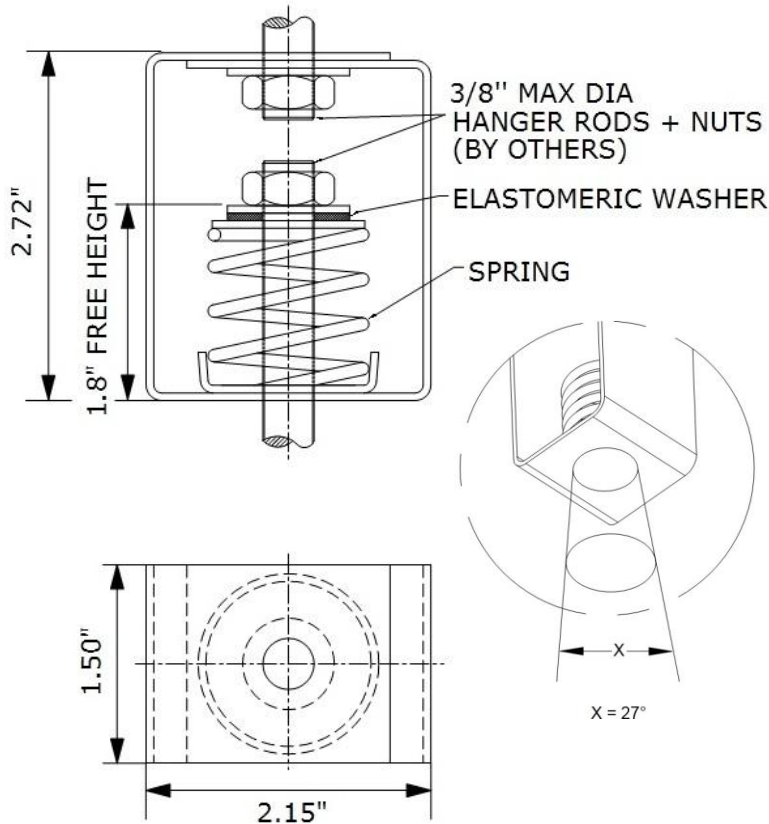


SPRING HANGERS

(SHA Series ¾" Deflection)

SHA series spring hangers are steel springs housed in rectangular steel brackets. The assembly incorporates dual (Steel and Elastomer) washers for uniform load distribution and high frequency isolation. These spring hangers are normally used in critical areas where noise and vibration need to be controlled.



NOTES:

- Bracket: Powder Coated
- Spring: Hot Dip Galvanized
- Design allows angular hanger misalignment
- Hanger Rods and Nuts not included

APPLICATIONS:

- Fan Coil Units
- Air Handling Units
- Fans
- Pipes
- Ducts

ISOLATOR MODEL	RATED LOAD (LBS)	RATED DEFLECTION (INCH)	COLOR	
			MAIN	STRIPE
SHA-011	30	0.75	SILVER	BLUE
SHA-012	66	0.75	SILVER	RED
SHA-013	105	0.75	SILVER	YELLOW
SHA-014	150	0.75	SILVER	WHITE
SHA-015	225	0.75	SILVER	BLACK