

257A Structural Pipe Shoe

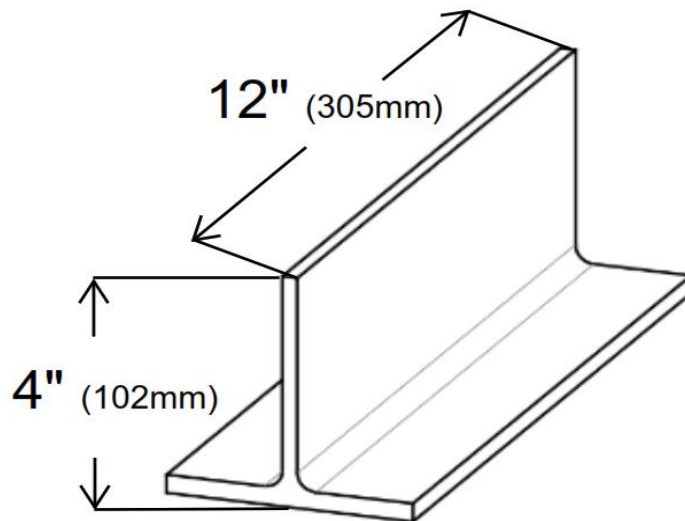
Finish: Bare Metal, Hot Dipped Galvanized

Material: Carbon Steel

Approvals: Complies with MSS SP-58 and SP-69 (Type 35)

Recommended: Premier solution to support your elevated piping with slide plates or clamps.

Notes: Dimensions may be modified to suit application.
Max temperature 750F (399C)



QWI 4.3.1 Issue Date May /24 Rev.2

Note: when referencing a printed copy of this specification page, please insure it is the latest version as found on our website at www.taylorwalraven.ca

For more information, please contact Customer Service at 1-800-263-8652